



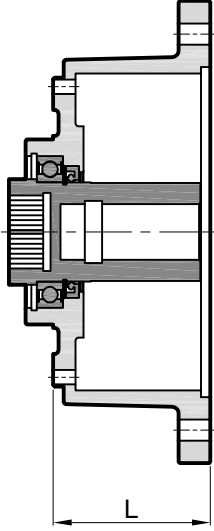
**ELEKTRİK MOTORU  
ADAPTÖRÜ**





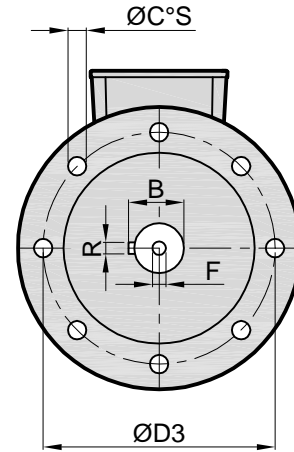
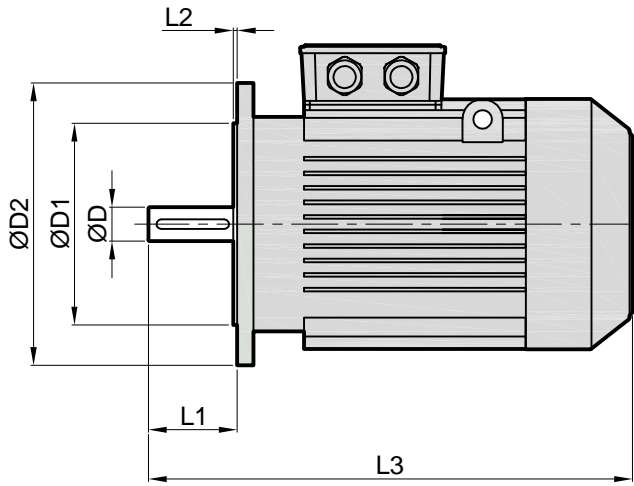
**ELECTRIC MOTOR  
ADAPTOR**

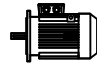


**ELEKTROMOTOR  
ADAPTER**



		L	Kod - Code - Bestell			L	Kod - Code - Bestell
MF 63	A	37	2000.500.011	MF 160	B	120	2000.500.018
MF 71	A	37	2000.500.012	MF 180	B	120	2000.500.019
MF 80	A	60	2000.500.013	MF 200	B	148	2000.500.020
MF 90	A	60	2000.500.014	MF 225	B	148	2000.500.021
MF 100-12	A	71	2000.500.015	MF 225	C	220	2000.500.022
MF 132	A	104	2000.500.016	MF 250	C	220	2000.500.023
MF 160	A	135	2000.500.017	MF 280	C	220	2000.500.024



	Kutup Sayısı - Number of Poles - Anzahl Pole									D	D1	D2	D3	L1	L2	L3	C	S	R	B	F
	2			4			6														
MF 63	0.18	-	0.25	0.12	-	0.18	0.06	-	0.09	11	95	140	115	23	3	215	9.5	4	4	12.5	M4
MF 71	0.37	-	0.55	0.25	-	0.37	0.18	-	0.25	14	110	160	130	30	3.5	250	9.5	4	5	16	M5
MF 80	0.75	-	1.1	0.55	-	0.75	0.37	-	0.55	19	130	200	165	40	3.5	280	11.5	4	6	21.5	M6
MF 90	1.5	-	2.2	1.1	-	1.5	0.75	-	1.1	24	130	200	165	50	3.5	315	11.5	4	8	27	M8
MF 100-12	3	-	4	2.2	3	4	1.5	-	2.2	28	180	250	215	60	4	385	14	4	8	31	M10
MF 132	5.5	-	7.5	5.5	-	7.5	3	4	5.5	38	230	300	265	80	4	500	14	4	10	41	M12
MF 160	11	15	11	11	-	15	7.5	-	11	42	250	350	300	110	4	600	18	4	12	45	M16
MF 180	22	-	-	18.5	-	22	15	-	-	48	250	350	300	110	5	660	18	4	14	51.5	M16
MF 200	30	-	37	30	-	-	18.5	-	22	55	300	400	350	110	5	750	18	4	16	59	M20
MF 225	45	-	-	37	-	45	30	-	-	60	350	450	400	140	5	820	18	8	18	64	M20
MF 250	55	-	-	55	-	-	37	-	-	65	450	550	500	140	5	895	18	8	18	69	M20
MF 280	75	-	90	75	-	90	45	-	55	75	450	550	500	140	5	960	18	8	20	79.5	M20