



GİRİŞ
MİLİ

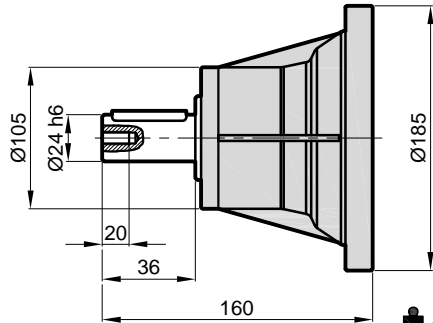
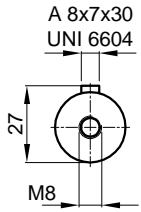


INPUT
SHAFT

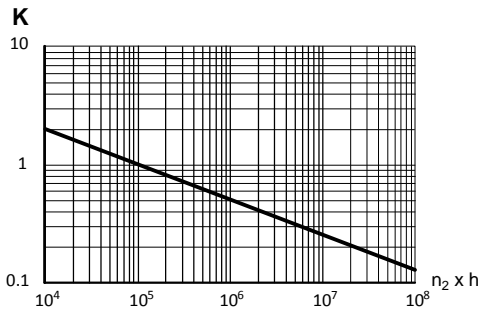
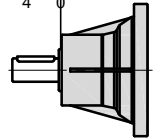
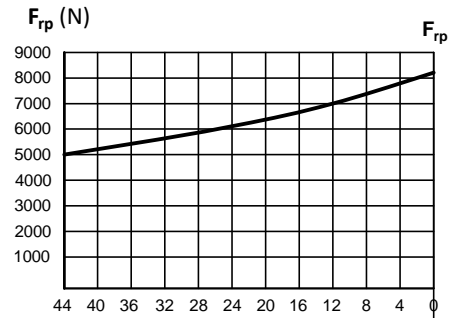


EINGANGS
WELLE

RGM 24

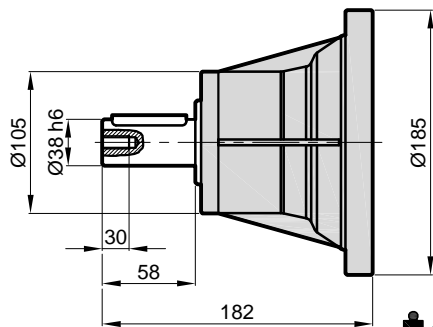
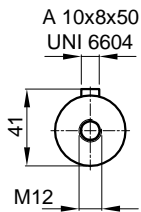


10 Kg

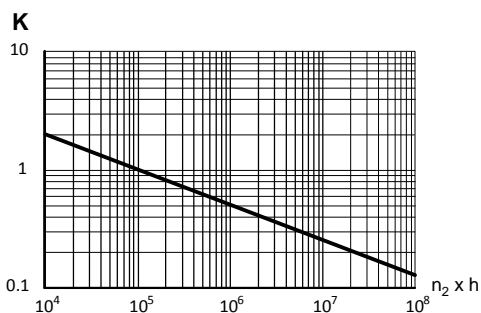
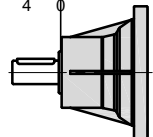
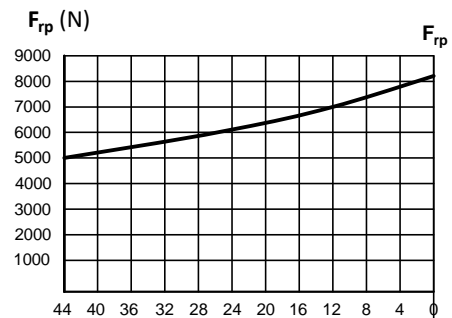


| $n_2 \times h$ | | | | |
|----------------|------------------|--------|--------|--------|
| 10^5 | 10^4 | 10^6 | 10^7 | 10^8 |
| F_{rp} | $F_{rp} \cdot K$ | | | |

RGM 38



10 Kg



| $n_2 \times h$ | | | | |
|----------------|------------------|--------|--------|--------|
| 10^5 | 10^4 | 10^6 | 10^7 | 10^8 |
| F_{rp} | $F_{rp} \cdot K$ | | | |



GİRİŞ
MİLİ

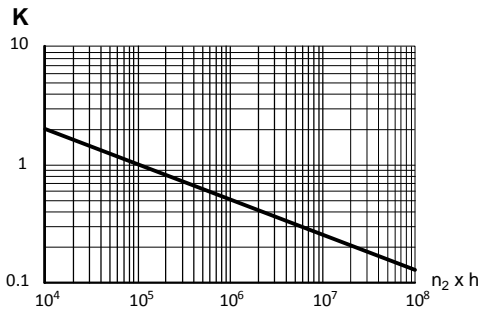
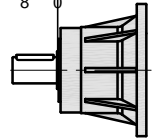
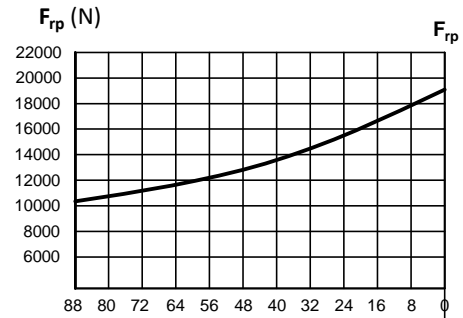
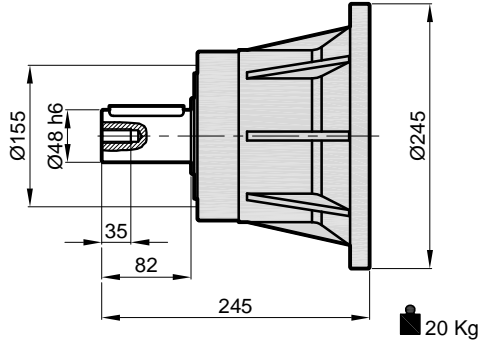
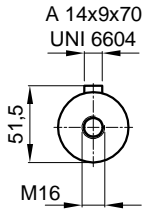


INPUT
SHAFT



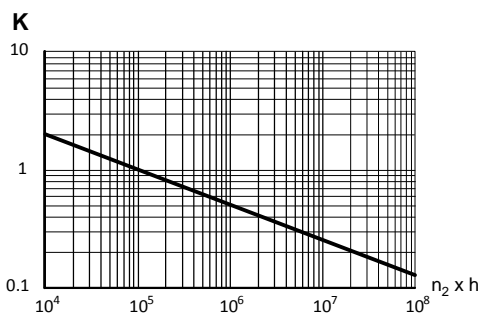
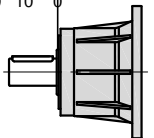
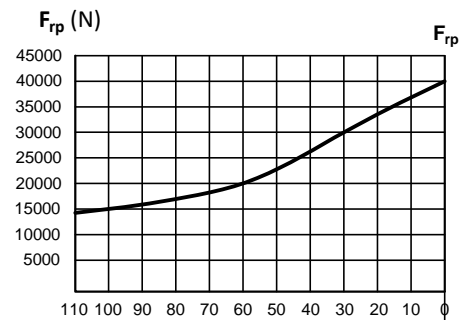
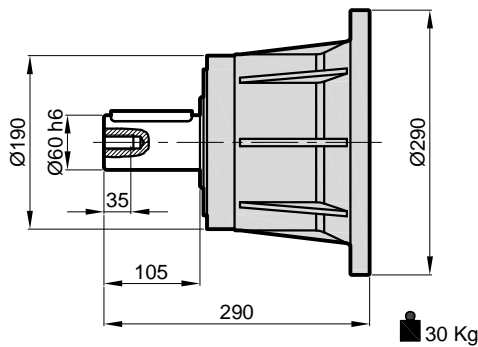
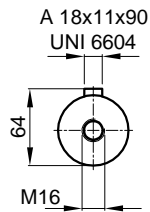
EINGANGS
WELLE

RGM 48



| $n_2 \times h$ | | | | |
|----------------|------------------|--------|--------|--------|
| 10^5 | 10^4 | 10^6 | 10^7 | 10^8 |
| F_{rp} | $F_{rp} \cdot K$ | | | |

RGM 60



| $n_2 \times h$ | | | | |
|----------------|------------------|--------|--------|--------|
| 10^5 | 10^4 | 10^6 | 10^7 | 10^8 |
| F_{rp} | $F_{rp} \cdot K$ | | | |



GİRİŞ
MİLİ

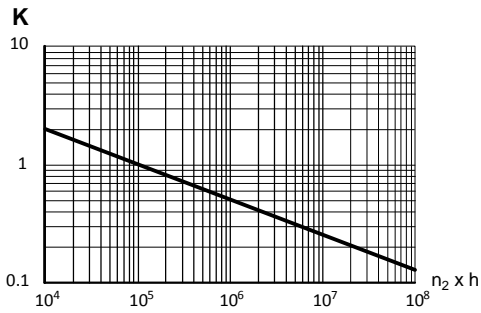
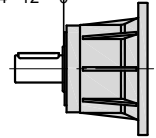
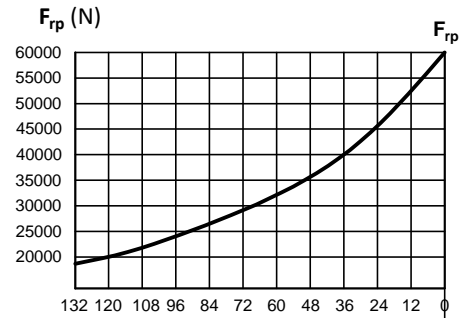
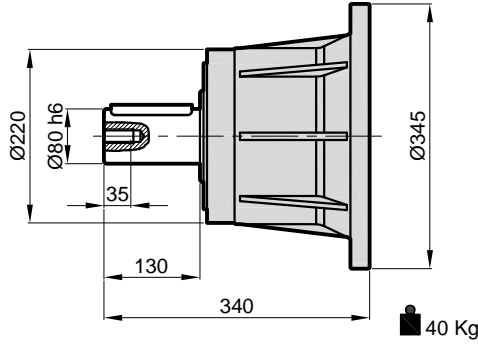
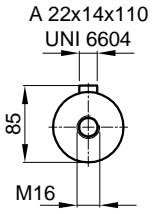


INPUT
SHAFT



EINGANGS
WELLE

RGM 80



| $n_2 \times h$ | | | | |
|-----------------|------------------|-----------------|-----------------|-----------------|
| 10 ⁵ | 10 ⁴ | 10 ⁶ | 10 ⁷ | 10 ⁸ |
| F_{rp} | $F_{rp} \cdot K$ | | | |



GİRİŞ
MİLİ

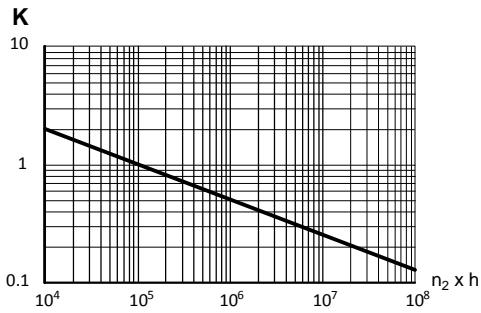
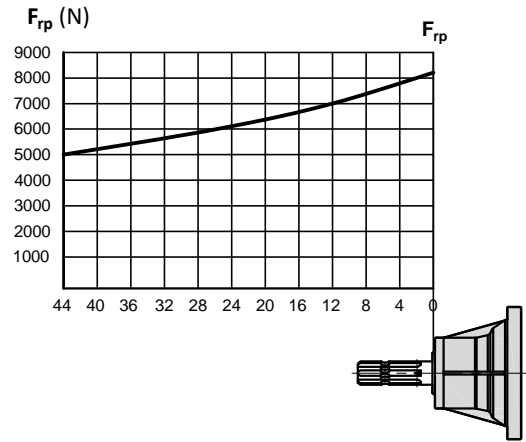
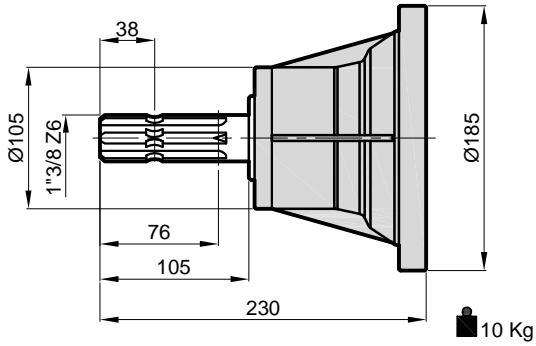


INPUT
SHAFT



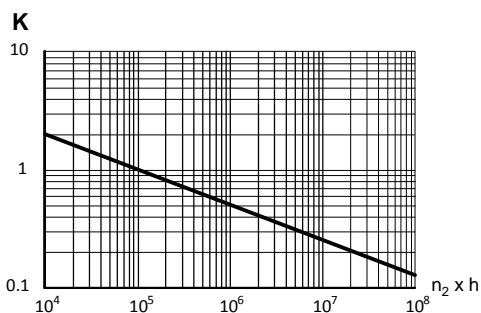
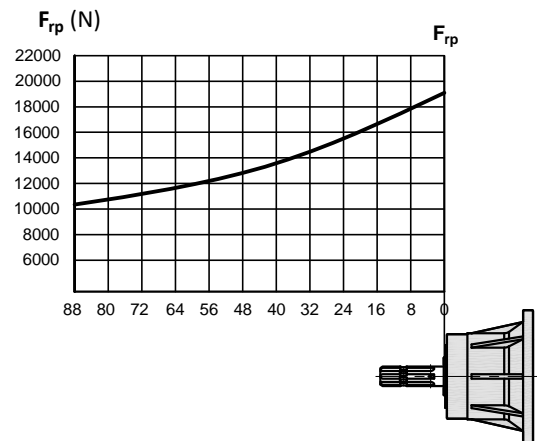
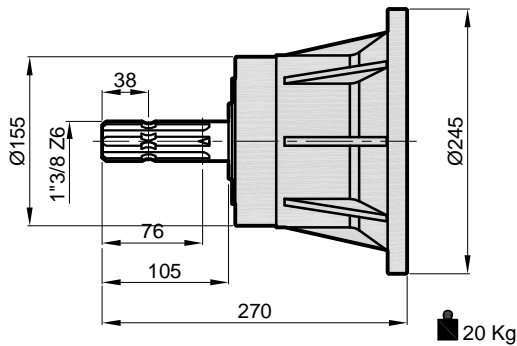
EINGANGS
WELLE

RGS 24



| $n_2 \times h$ | | | | |
|----------------|------------------|--------|--------|--------|
| 10^5 | 10^4 | 10^6 | 10^7 | 10^8 |
| F_{rp} | $F_{rp} \cdot K$ | | | |

RGS 48



| $n_2 \times h$ | | | | |
|----------------|------------------|--------|--------|--------|
| 10^5 | 10^4 | 10^6 | 10^7 | 10^8 |
| F_{rp} | $F_{rp} \cdot K$ | | | |